

INTERCOLLAR

» SAFE SOLUTION FOR FLOOR OPENINGS

Amerplastics' Intercollar provides a time and money saving solution for enclosing (field) cut penetrations and openings for both fibreglass and steel grating types by eliminating banding.

Furthermore, when applied, this collar will restore the major part of the stiffness loss which occurs due to cut penetrations.

It is cheaper to fieldcut grating penetrations for smaller bore piping (< 16") during erection and applying a collar, instead of designing penetrations during engineering, causing long lead time for both engineering and grating production.

SPECIFICATIONS

- Time and money saving solution
- Maintenance free
- Fast and time saving installation
- Flame retardancy V0 UL94
- Corrosion resistant
- Height of the collar 150 mm
- Safety yellow RAL 1004
- For both fibreglass and steel grating types



» INTRODUCTION

The collar is fixed to the gratings with clips, but can also be glued onto a concrete or steel floor. Therefore, there are no holes pre-drilled.

The collars are made of flame retardant polyurethane. The flame retardancy is V0, according to UL 94, and the toxicity in fire is LC 13 according to the LC50 test method.

The standard colour is Yellow RAL 1004. The GPC's meet NEN-EN-ISO 14122. The collar also functions as a kick plate. This kick plate has to be at least 100 mm high. The collar has a height of 150 mm.

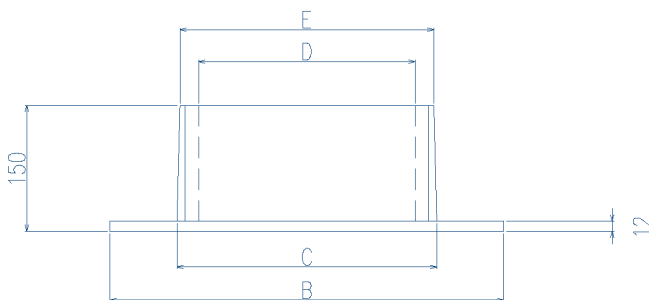
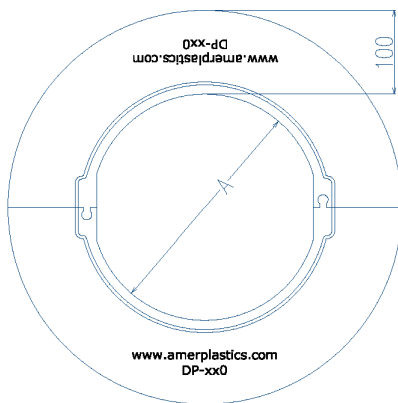
» PRODUCT OVERVIEW

The Intercollar is available in six standard sizes. See table below for detailed information. The size required is based upon the overall diameter of the pipe (including insulation). It is recommended to have a free space of max. 25 mm on each side of the collar.

For a set of parallel pipes penetrating a grating, an extender piece (DP-extender 150) is available.

DIMENSIONS TABLE

	A	B	C	D	E
DP-050	160	360	200	148	193
DP-100	220	420	260	208	253
DP-150	270	470	310	258	303
DP-300	460	660	500	448	493



» INSTALLATION

The installation of an Intercollar takes only a fraction of the time required for installing a steel collar. Additionally, the Intercollar can be easily removed for maintenance or modifications when placing new pipes. Moreover, scaffolding is not needed, as the entire installation is carried out from the top side of the floors.